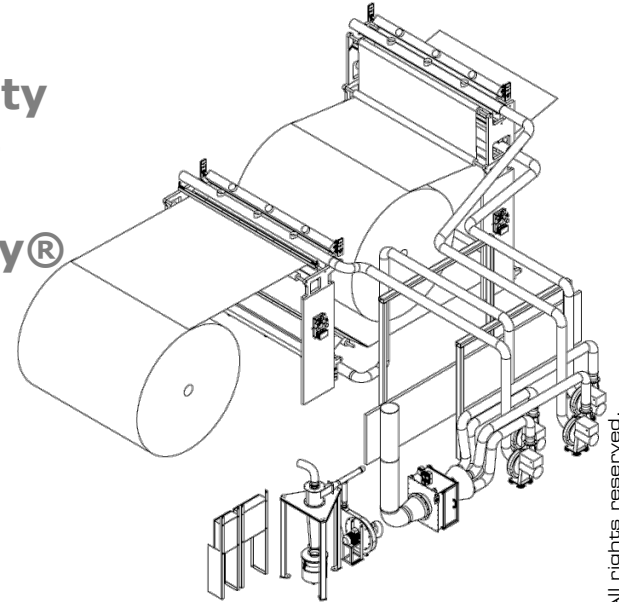


# Application Description

## DUST REMOVAL TISSUE PROCESS



**Xstream** high velocity  
non-contact surface  
cleaning with  
**AUTO DC Technology®**  
ionising system



**Application Information**  
**DUST CONTROL**

# Application Description

## **Prevent dust and loose fibers during the tissue products!**

During any tissue process for end products such as kitchen towels, napkins, toilet paper the dust amount generated is tremendous and causes all kinds of production problems as well as high maintenance cost. With our technology you are ensuring a dust free process to guarantee your customers receives a quality product.

### **Key Features:**

- Retrofitable – fast and easy installation
- Up to 10.000mm web width
- Up to 2.000m/min web speed
- Fully automated including AUTO DC Technology® ionisation
- All parameters and system efficiency visualized

### **Our product is ideal for many tissue processes:**

- Embossing, printing, glueing
- Unwinding-Rewinding
- Slitting

Find out more:

[web cleaning system Xstream \(hildebrand-technology.com\)](http://hildebrand-technology.com)

