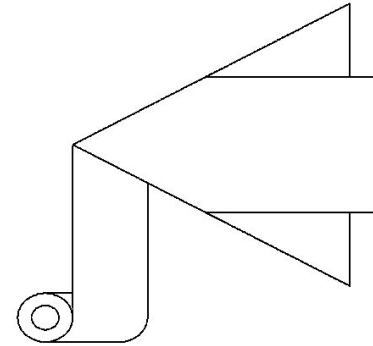


# Application Description

## AVOID STATIC BEING TRAPPED within layers



**iON**stream 4.0 network capable  
AUTO DC Technology® static  
neutralising system



**Application Information**  
**STATIC CONTROL**

# Application Description

**During the folding process static charge can be trapped within it and can not be removed afterwards.**

As soon as a layer of insulated material is created and not being neutralized on the surfaces facing inside this layer, static charge gets trapped within it. This charge can NOT be removed afterwards. The reason is, that the insulating layer will not allow ions to travel through. Static problems WILL occur in all following processes if this issue is not resolved before the layer is created.

## Key Features:

- 6, 12 or 18kV Ex and non Ex
- 24V DC supply, all HV parts integrated
- Up to 2000m/min. line speed
- Visualisation of all parameter via **IONcontrol** Touch Panel
- Data logging for all parameters

**Our product is the ideal solution for many Substrates during the unwinding process:**

- PE, PVC, PET
- Textile, Tissue, Nonwoven
- Paper, Cardboard

Find out more:

[IONstream 4.0 \(hildebrand-technology.com\)](https://www.hildebrand-technology.com)

